

www.MotorizedSolutions.com | 1-866-446-6867



Innovations In Shading Systems

PerfectFit



Introducing the Motorized Solutions Perfect Fit series.

Perfect Fit takes a holistic approach to window treatment concealment. If attention to detail is your pursuit, then Perfect Fit is your solution!



Mud in Solutions for Roller Shades



The Perfect Fit Mud in Solutions for Roller Shades system has been designed to finish the edges of a custom pocket application.



Typical Results Using Recessed Pocket or Standard Flap and Hanger



Double metal edge



Uneven gaps from wavy drywall



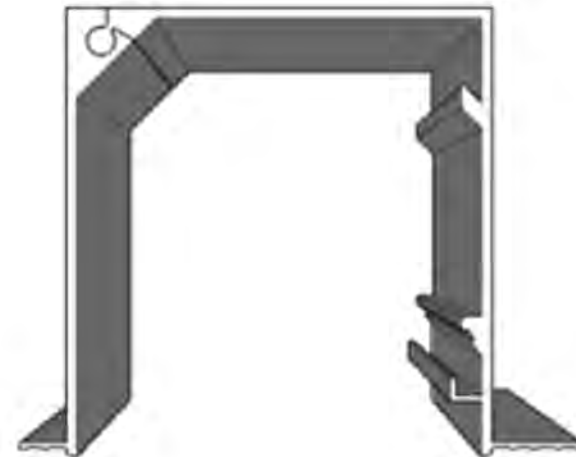
Corners that are not square and level

Install Shades to Perfection in Minutes

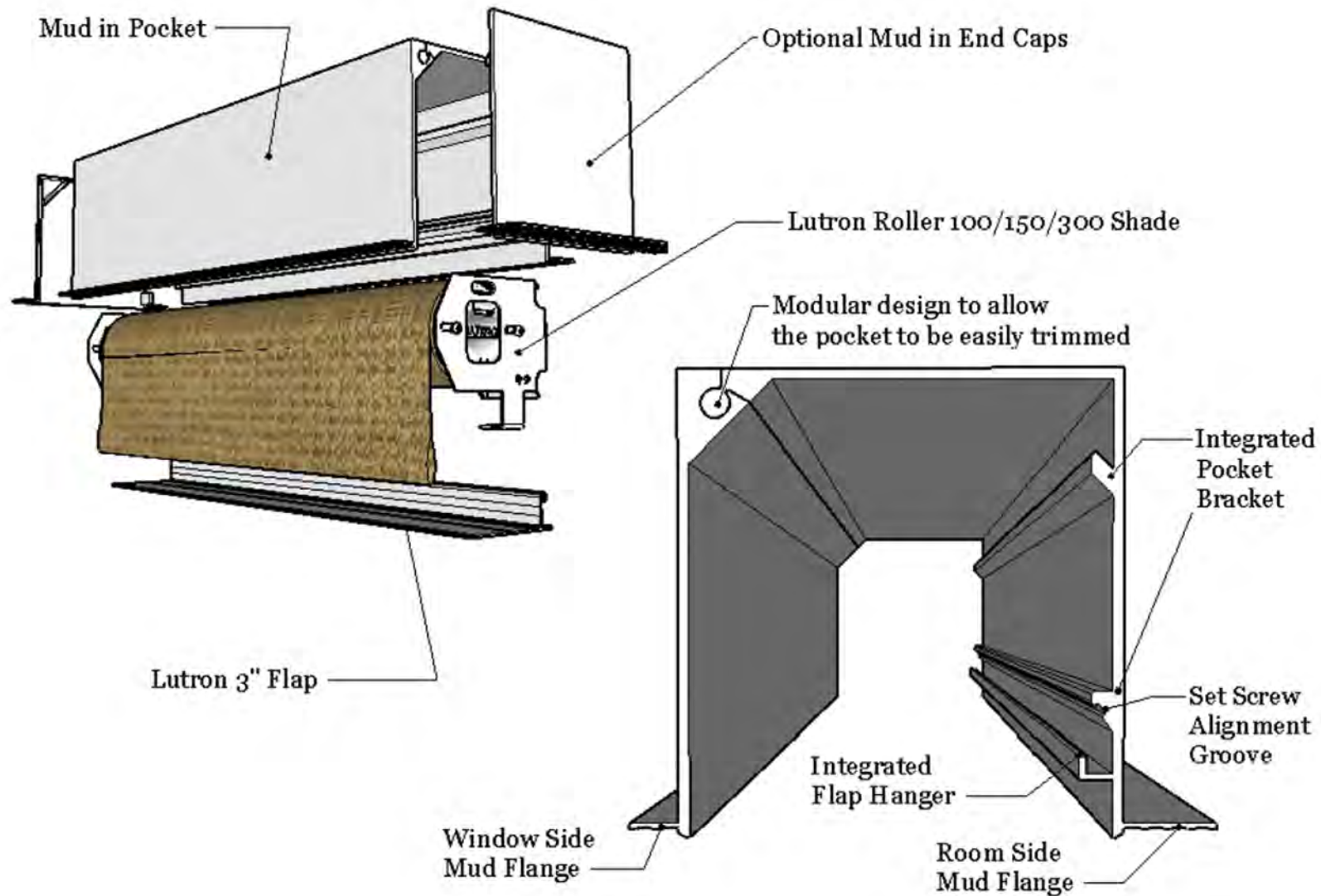
- The integrated bracket eliminates the need to install the shade bracket.
- No leveling of hangers to match ceiling line. The hanger is integrated into the pocket extrusion.
- Mud in Pocket pre-made Inside and Outside corners connect, and are seamless once mud in.
- Mud in End Caps ensure every opening is finished square.

Easily cut and trim the pocket with a standard miter saw

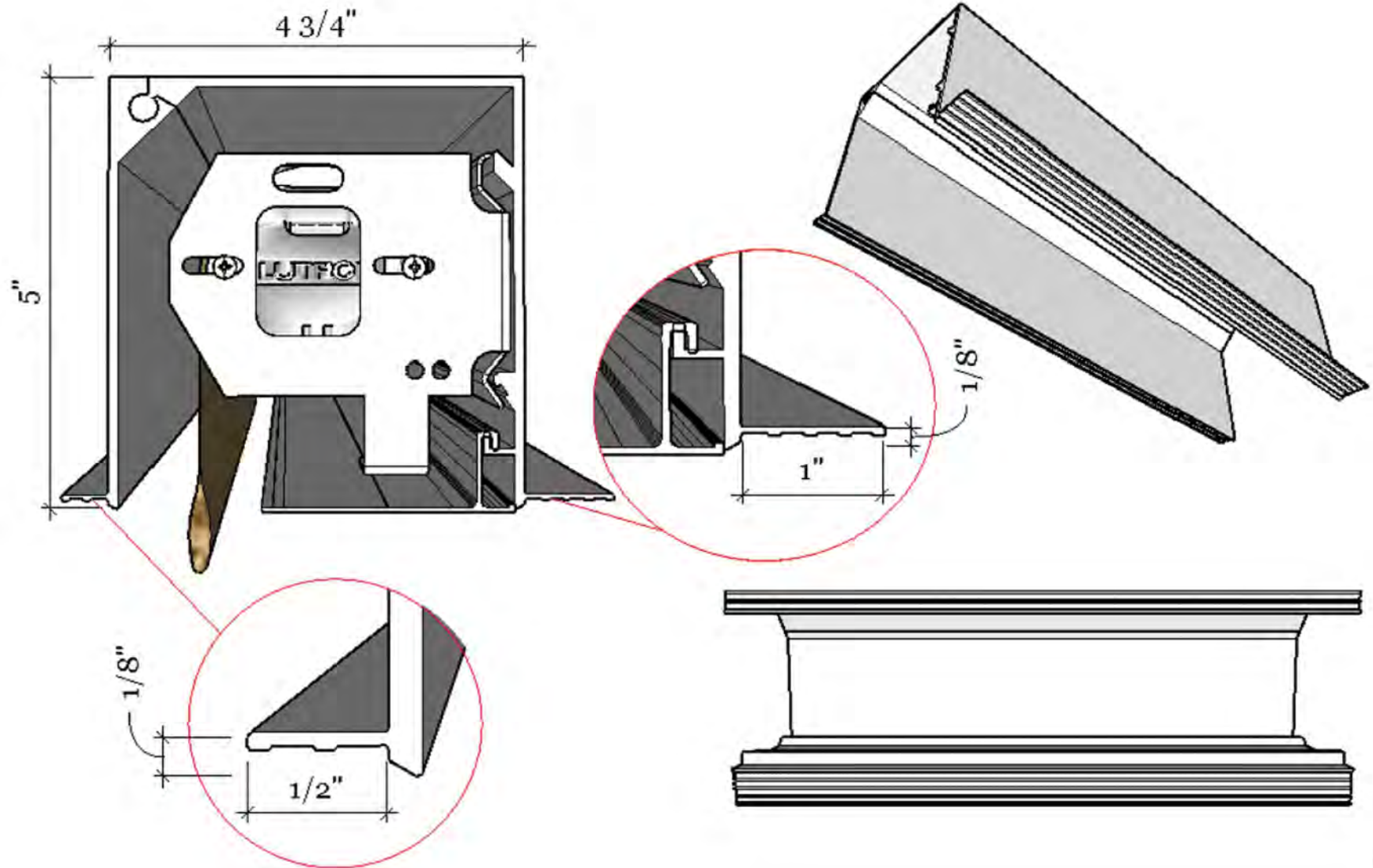
- Mud in Pocket was designed modular, allowing the pocket to be disassembled so that it can be cut without the need of a large saw.



Mud In Pocket

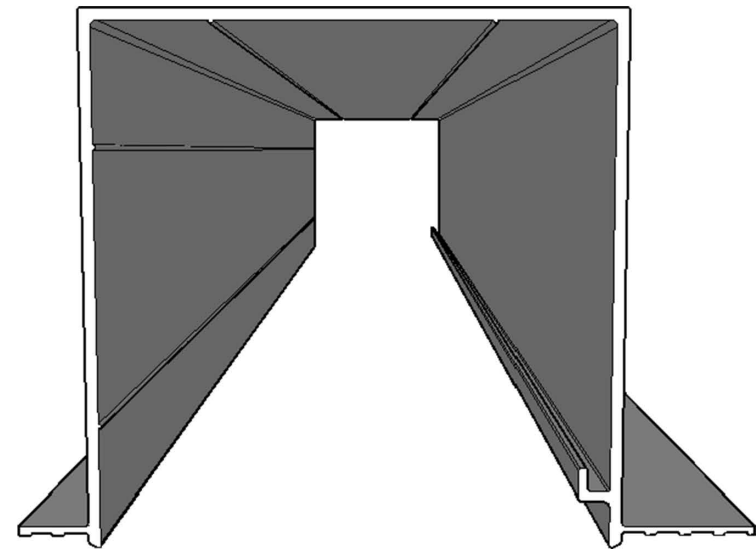


Mud In Pocket

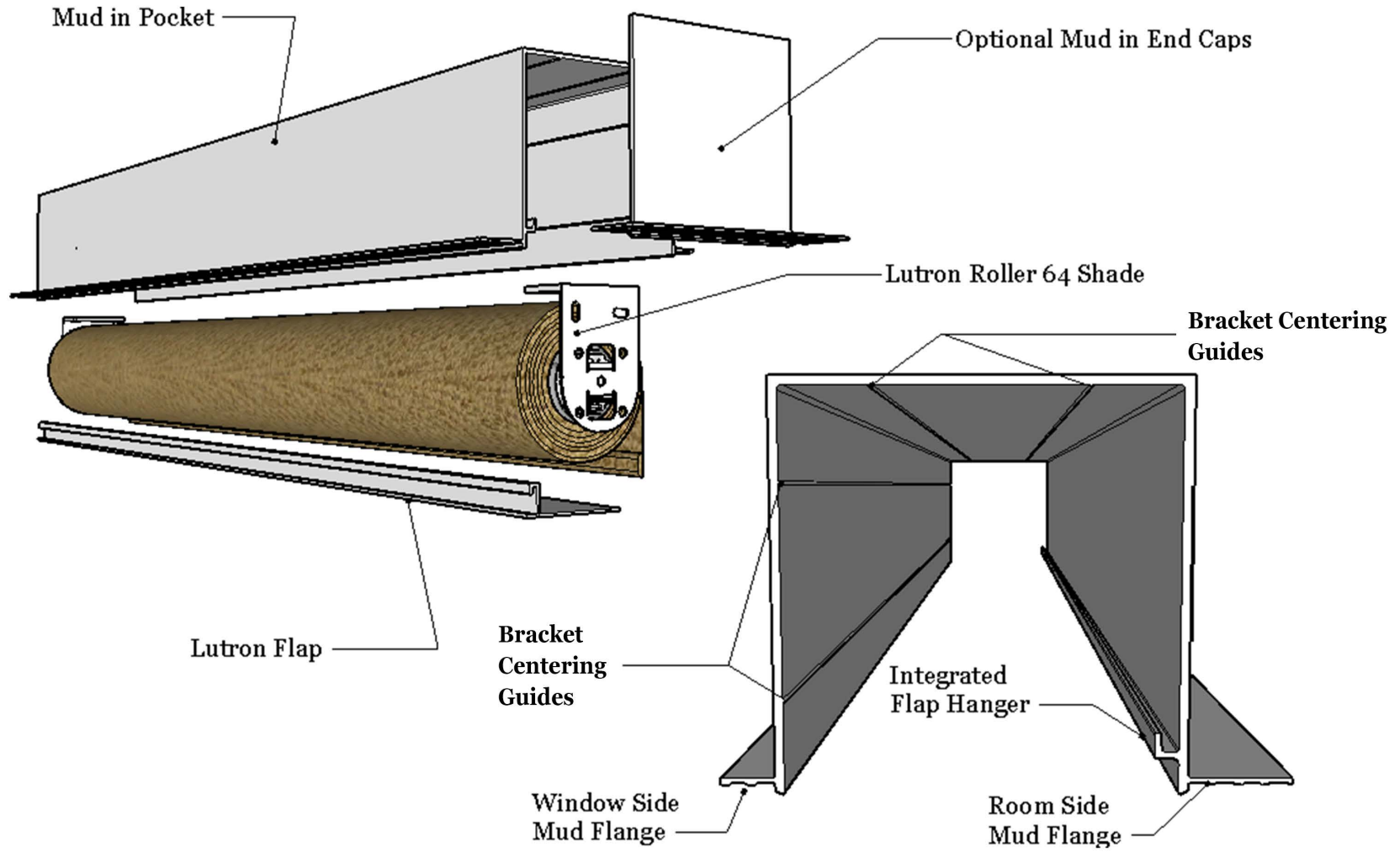


A Simplistic Shade Pocket System

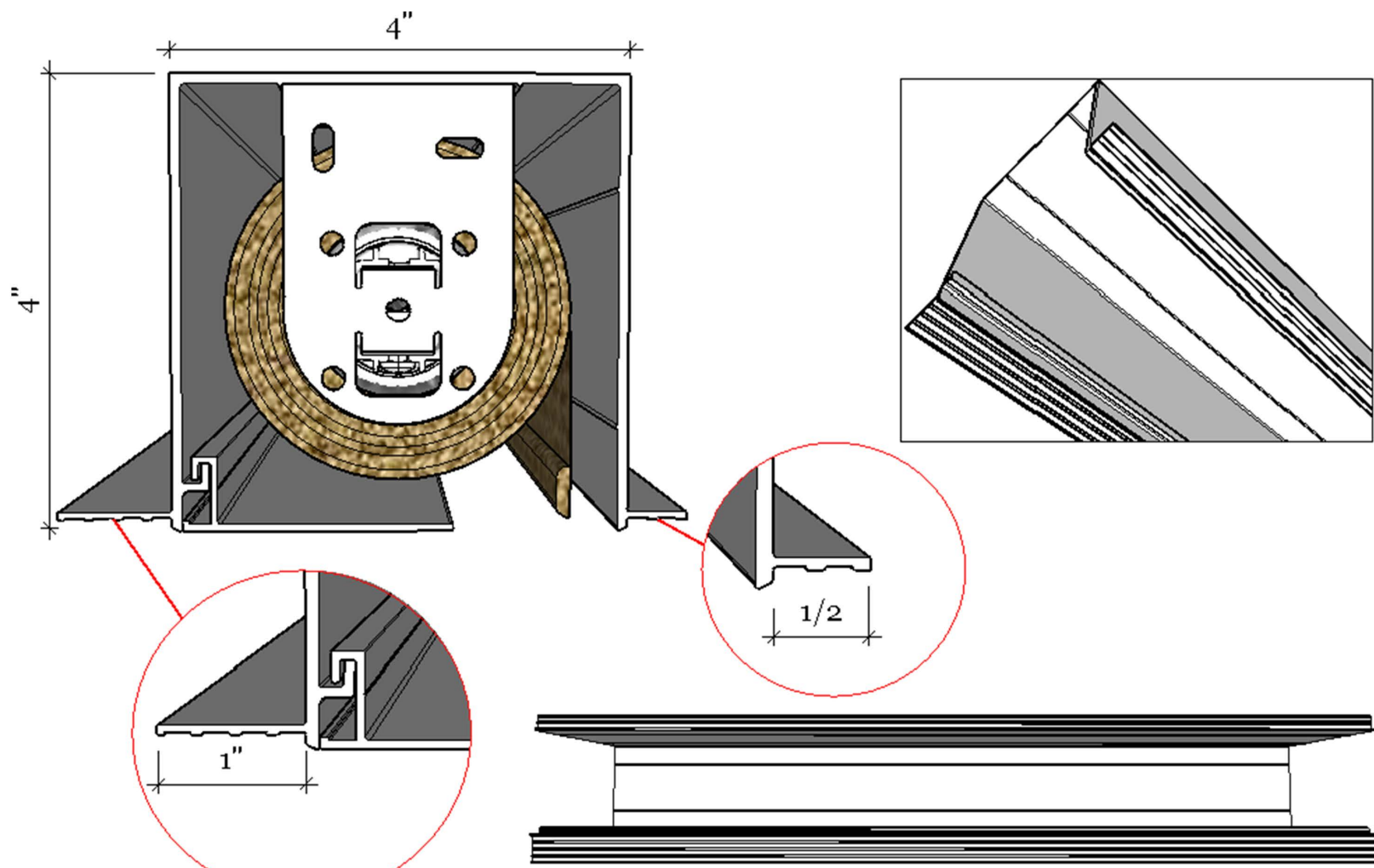
- Integrated flap hanger reduces installation time.
- Integrated bracket centering guides eliminate the need to center the shade in the pocket.
- Mud in end caps complete the fit and finish.
- 90 degree inside and outside corners.



Mud In Pocket Junior



Mud In Pocket Junior



Maximum Roll Diameter 3.30"

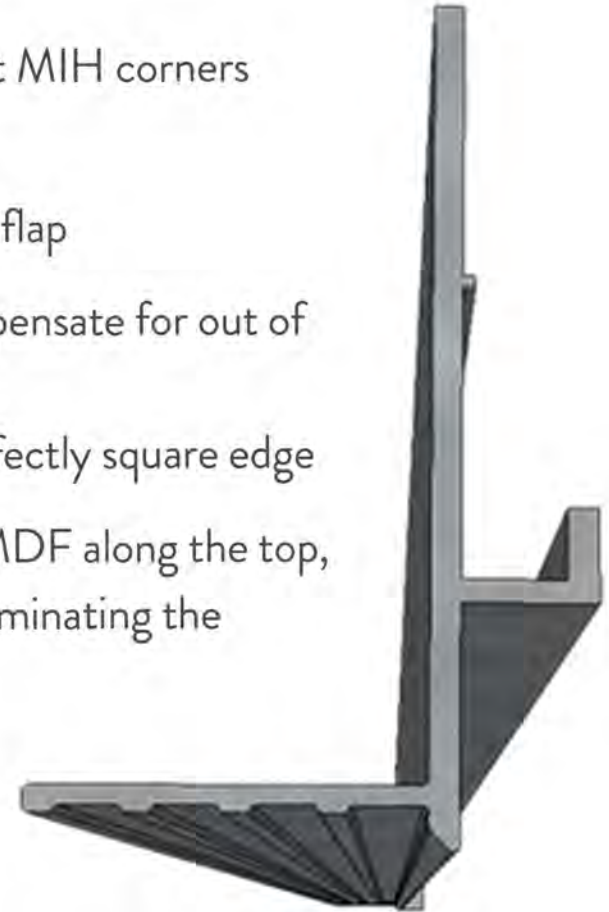


Reduce Installation Time!

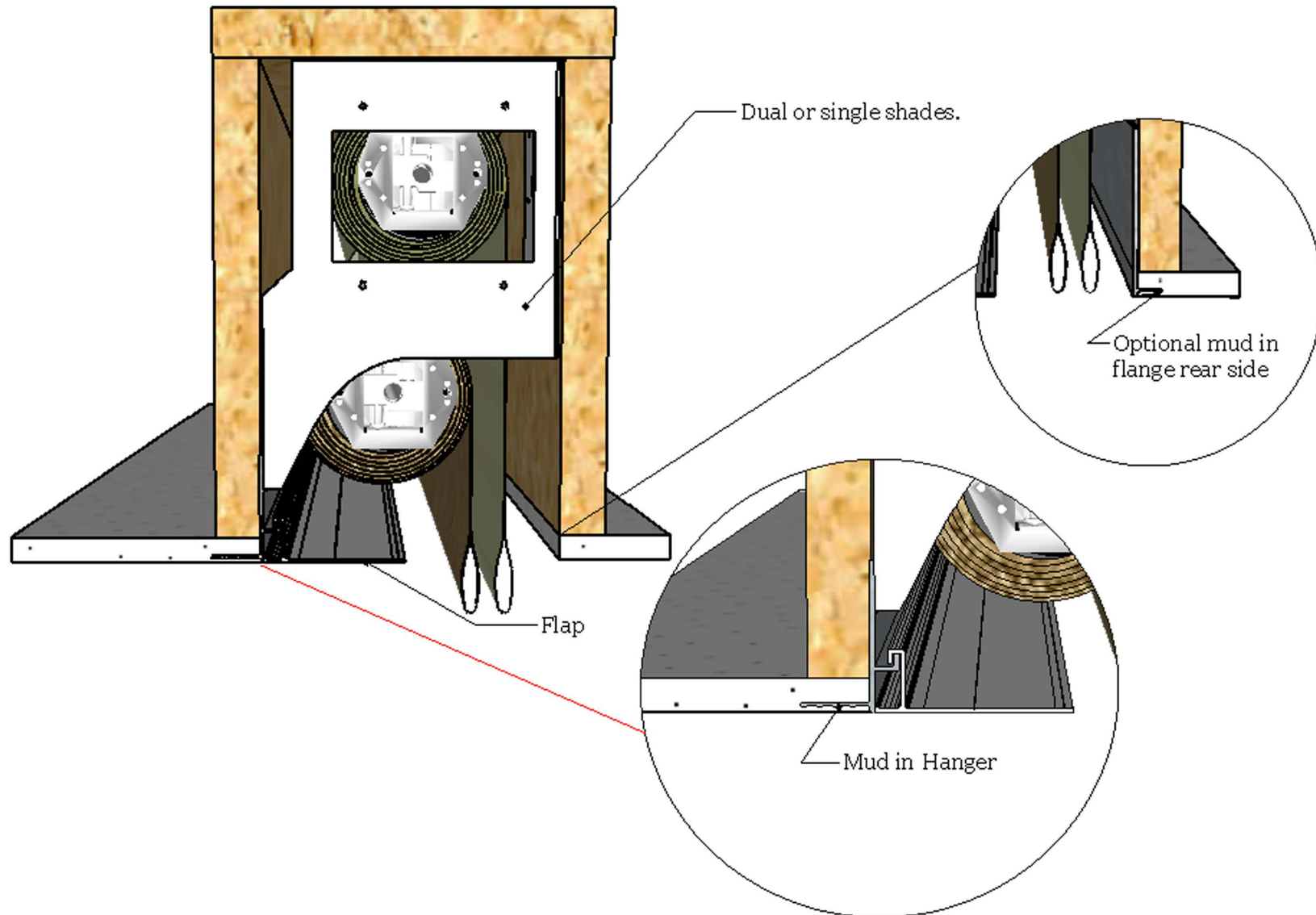
- You are guaranteed to have the proper depth using the Perfect Fit MIH corners
- No leveling of hanger
 - The hanger is installed during construction. Simply hook on the flap
- No more mitering or feathering of the flap at the corners to compensate for out of square cavities
 - By using the Perfect Fit MIH corner, you are guaranteed a perfectly square edge
- By having the builder construct the cavity with solid plywood or MDF along the top, simple wood screws can be used to anchor the shade brackets, eliminating the possibility of blocking not being in place

Various sizes available

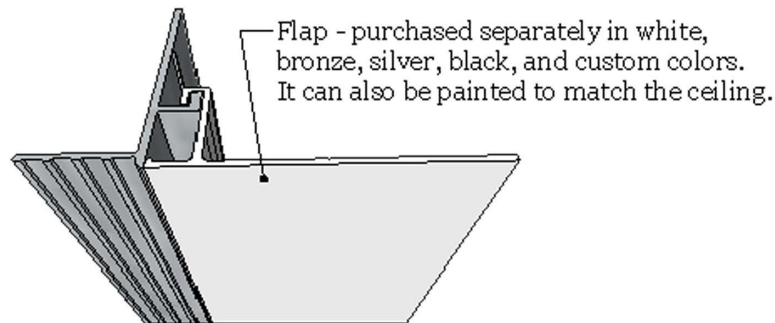
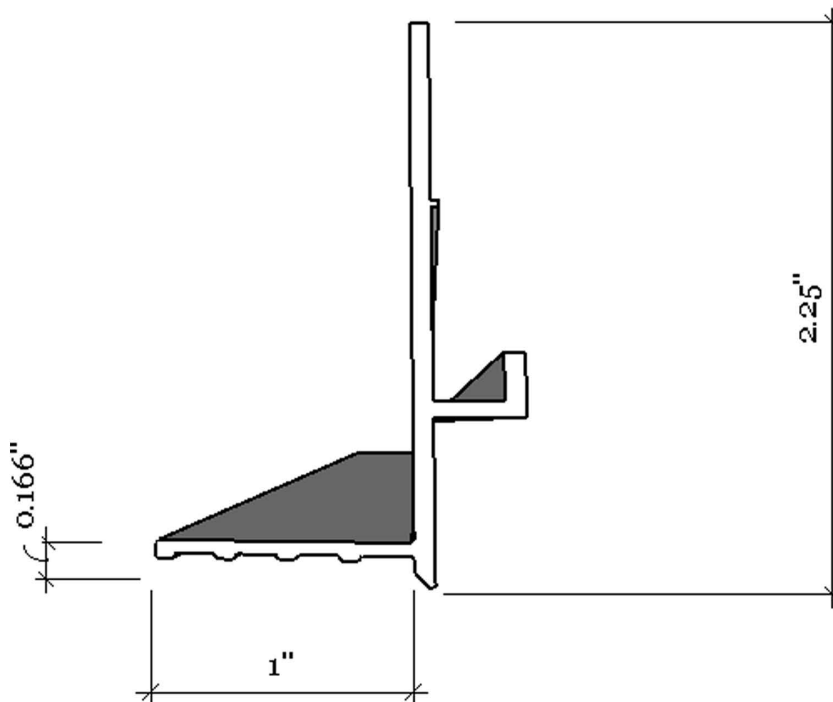
- MIH connects together to seamlessly form any width.
- The hanger is designed for Lutron 2", 3", and 5" flap
- The corners are available in 3.5", 4.75", 6", and 7" depths
(custom sizes are available upon request)



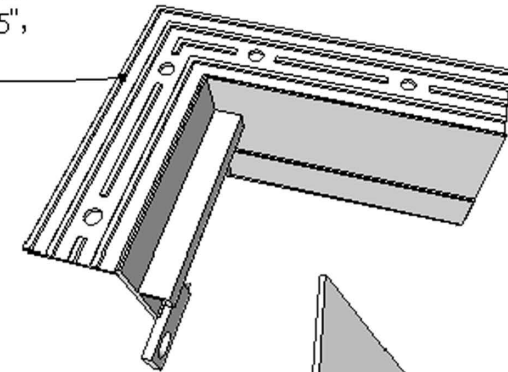
Mud In Hanger



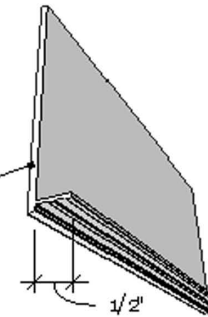
Mud In Hanger



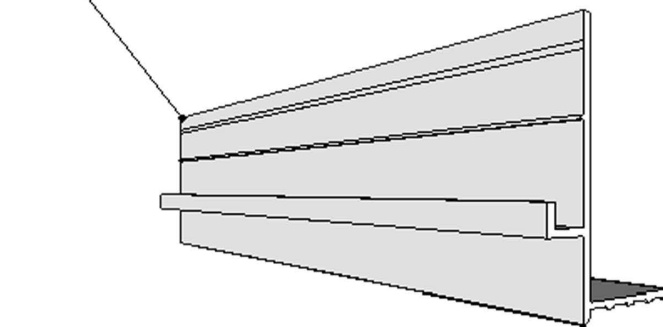
Optional return corners available in 3.5", 4", 4.75", 6", 7" and in custom sizes



Optional rear mud in flange



Extrusions in 8 foot and 16 foot lengths seamlessly butt together to create lengths as needed.



Recessed Drapery Track Cavity



DEL's recessed Drapery Track Cavity (DTC) system will ensure a clean finish to the ceiling with attention to detail.

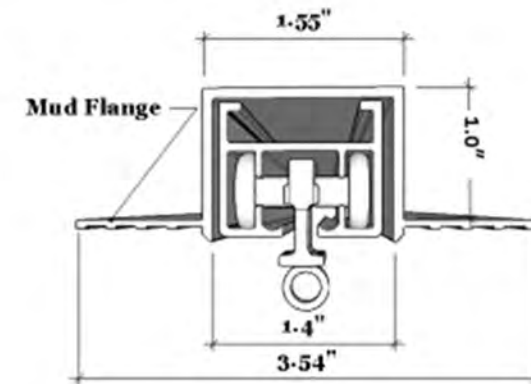
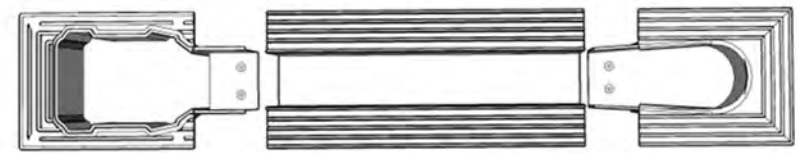
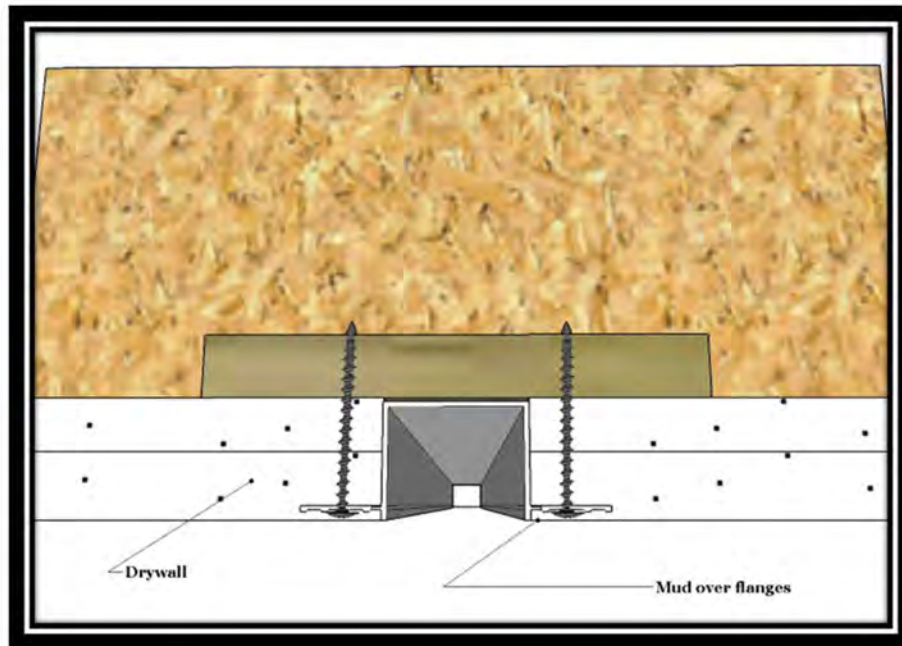


DTC has been engineered for function.

The system provides a perfectly contoured recess for your motorized drapery track and allows for a true, uninterrupted, floor-to-ceiling drapery.



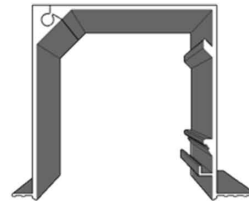
Recessed Drapery Track Cavity



MOTORIZED SOLUTIONS PARTS: MUD IN POCKET

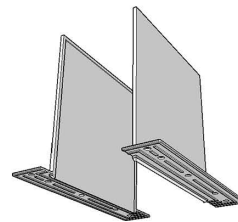


Perfect Fit
Mud in Pocket



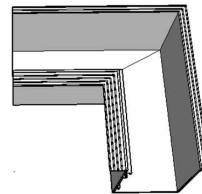
*A mud in pocket system with integrated bracket. Mud in Pocket ensures a clean transition from the drywall ceiling edge to the shade cavity.

Perfect Fit
Mud in Pocket End Cap



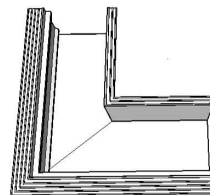
*A mud in end cap for the Mud in Pocket system.

Perfect Fit
Mud in Pocket Regular Roll
Inside Corner or Reversed Roll Outside Corner



*A perfect 90 degree inside corner used where shades meet, eliminating the need to miter the pocket.

Perfect Fit
Mud in Pocket Reversed Roll
Inside Corner or Regular Roll Outside Corner

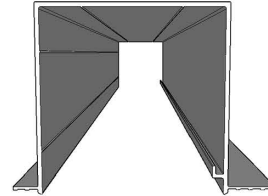


*A perfect 90 degree outside corner used where shades meet, eliminating the need to miter the pocket.

MOTORIZED SOLUTIONS PARTS: MUD IN POCKET JUNIOR

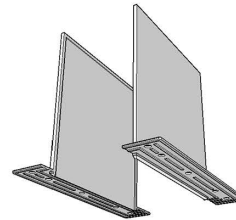


Perfect Fit
Mud in Pocket Junior



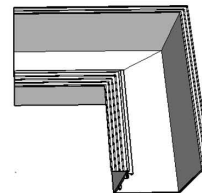
*A mud in pocket system engineered for smaller shades. The mud in design ensures a crisp, clean transition to the drywall ceiling.

Perfect Fit
Mud in Pocket Junior End Cap



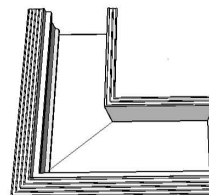
*Mud in end caps for the Mud in Pocket Junior system.

Perfect Fit
Mud in Pocket Junior Regular
Roll Inside Corner or Reversed
Roll Outside Corner



*A perfect 90 degree inside corner used where shades meet, eliminating the need to miter the pocket.

Perfect Fit
Mud in Pocket Junior Reversed
Roll Inside Corner or Regular
Roll Outside Corner



*A perfect 90 degree outside corner used where shades meet, eliminating the need to miter the pocket.

MOTORIZED SOLUTIONS PARTS: MUD IN HANGER



Perfect Fit
Mud In Hanger (accepts flap)



*Creates a perfectly clean line when recessing shades into the ceiling. Eliminates the need for pocket or flap/hanger

Perfect Fit
Mud In Hanger corner



*A perfect 90 degree corner when combined with the above product

Perfect Fit
Mud In Hanger Inside and
Outside Corners

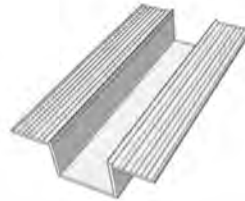


*Shades butting in a corner? Create a Perfect Fit intersection without the need to miter pockets using these components.

MOTORIZED SOLUTIONS PARTS: MUD IN DRAPERY TRACK CAVITY



Perfect Fit
Recessed Drapery Track Cavity



*Seamlessly allows drapery tracks to be recessed into the ceiling

Perfect Fit
Recessed Drapery Track Ends



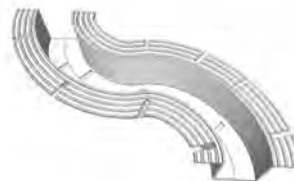
*Motor and idle end for the above

Perfect Fit
Recessed Drapery Track Cavity Bend



*Radius bend for recessed cavity

Perfect Fit
Bendable Drapery Track Cavity

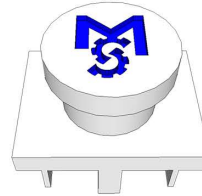


*This is a two-piece bendable Perfect Fit cavity that allows you to create custom curves and bends

MOTORIZED SOLUTIONS PARTS: INSTALLATION TOOLS

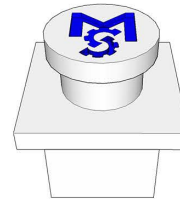


Perfect Fit
Drapery Track Cavity
Centering Tool



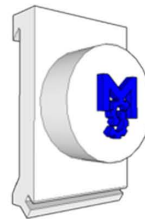
*This tool is used to help center Lutron drapery tracks

Perfect Fit
Drapery Track Cavity
Dimension Tool



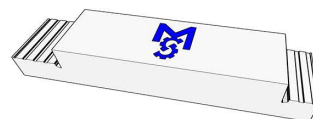
*This tool is used when installing custom curved Drapery Track Cavities to ensure even track spacing.

Perfect Fit
Mud in Pocket Drilling Guide

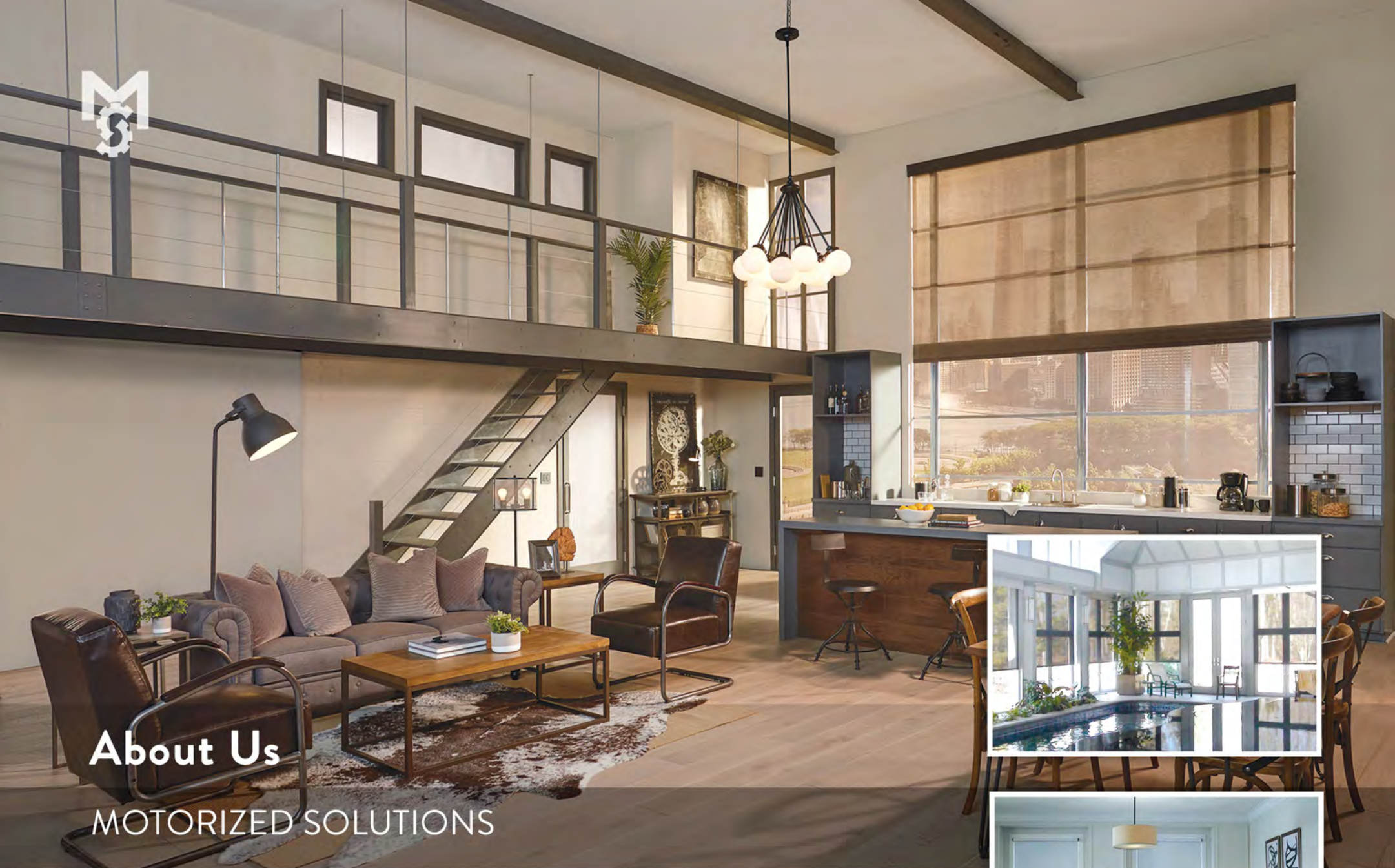


*The Mud in Pocket Drilling Guide ensures the proper angle when drilling the pilot hole for the bracket set screw.

Perfect Fit
Mud in Pocket Spacer Block



*The Mud in Pocket spacer block tool squares the pocket during the installation.

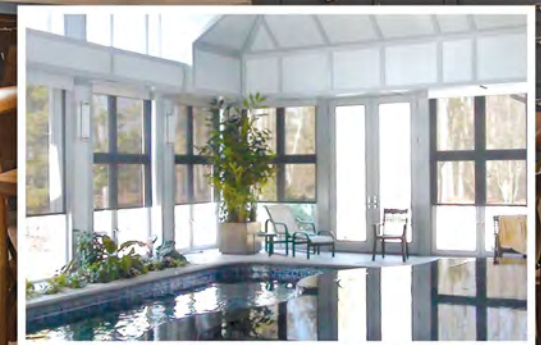


About Us

MOTORIZED SOLUTIONS

Motorized Solutions is proud to offer the most innovative window treatments in the industry since 1976.

Founded in the 1940's as an exclusive custom upholstery company, we have the ingrained passion to perform each project with precision. Our strive for perfection has enabled us to become Lutron's premier residential dealer and the first window treatment dealer inducted into the Lutron Hall of Fame.





Our MISSION

Motorized Solutions is committed to providing our clients with the most innovative, high-quality automated window treatments in the industry, coupled with a superior customer service experience.

- We are guided by core values that are shared by every member of our team
- We are dedicated to building long-term client relationships
- We will help inspire, educate, and problem solve for our clients
- We value the trust our clients have placed in us and continuously strive to exceed their expectations



Motorized Solutions®
Toll Free: 866.446.6867
motorizedsolutions.com
info@motorizedsolutions.com

PerfectFit